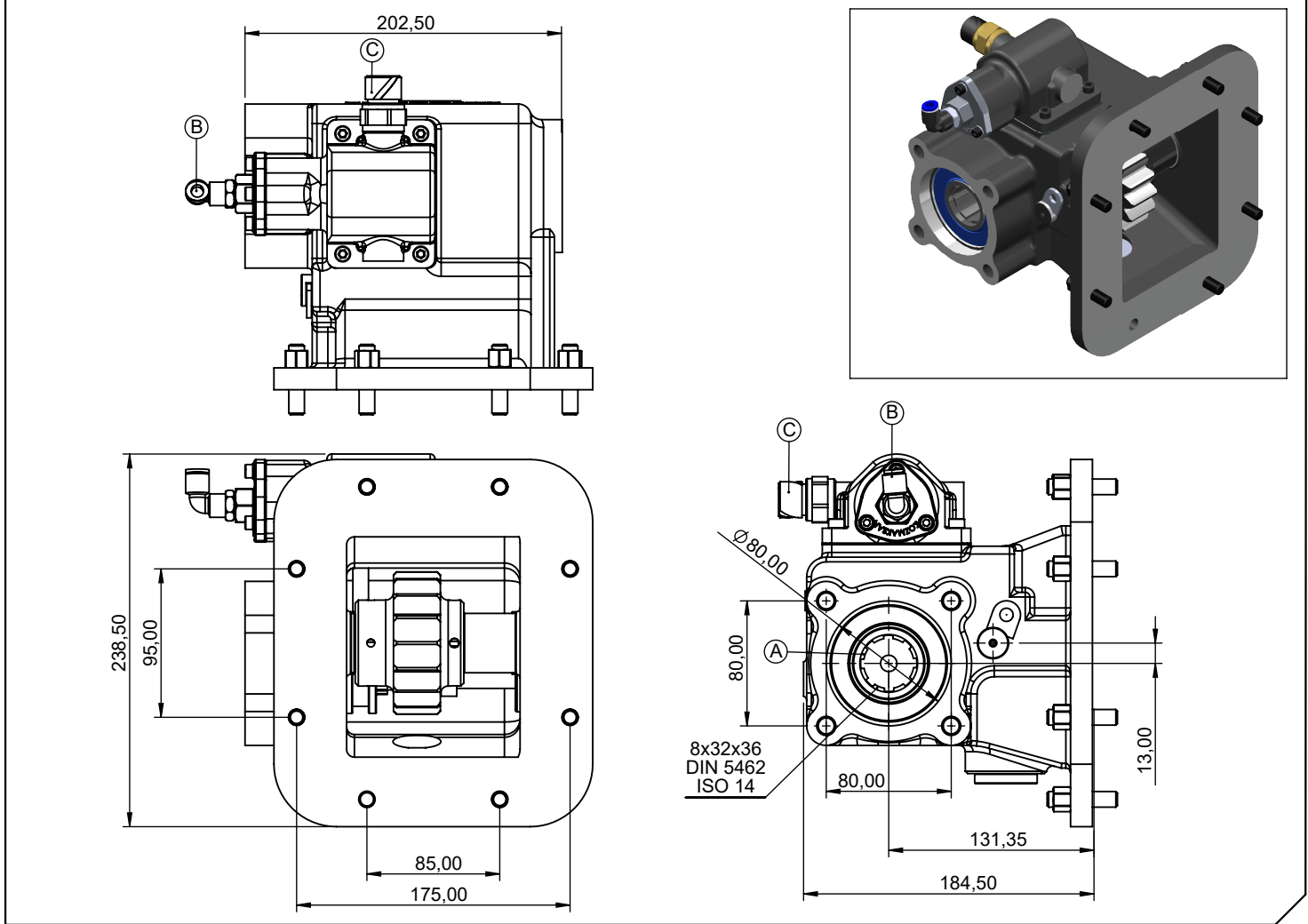


Vehicle Type	HINO
Gearbox Type	MX06/6.515 , MX06/7.305

Product Code	HN.11.MX06.H
Rev.No-Date	00 / 31.08.2018

Products Views



Component Details	
<p>A: PTO Output DIN 5462 8X32X36 ISO 4 Bolt , Direct Mounting UNI 3 Bolt mtg. adapter , Drive Flange</p> <p>B : Air Inlet R 1/4"</p> <p>C :Engage-Disengage Sensor (Ops.)</p>	

Technical Details					
Power	Maximum Torque		Input/Output	Mounting Side	Control Type
	kW	Nm			
42	400	41	1/1.54	Left	Pneumatic
				Weight	Sense of Rotation
				17 kg	Same as Input